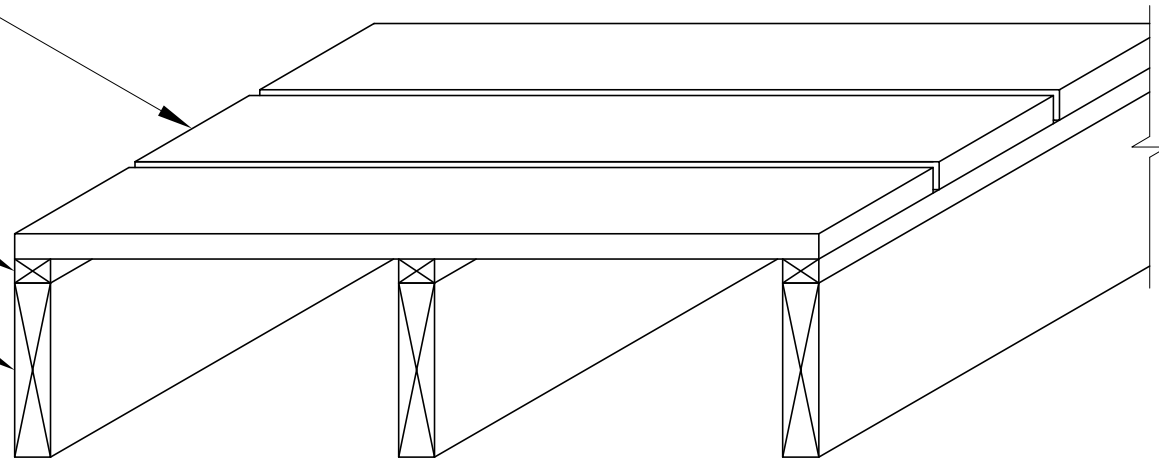


## RECOMMENDED INSTALLATION METHOD FOR HIGH MOISTURE AREAS AND FOR ALL ROOF TOP AND GROUND LEVEL DECKS

RED BALAU BATU EXOTIC HARDWOOD  
DECKING (5/4 X 6") WITH 1/4" (MINIMUM) GAP  
BUT IN VERY HIGH MOISTURE AREAS 5/16" GAP

5/4 X 2" RED BALAU BATU JOIST CAPS

TREATED JOISTS OR TREATED SLEEPERS



1

### RED BALAU BATU JOIST CAP

Scale: 1:8

#### TOP 3 REASONS TO USE EXOTIC HARDWOOD JOIST CAPS:

1. DURABLE: FASTENING HARDWOOD TO HARDWOOD CREATES A MORE DURABLE DECK WITH MORE HOLDING POWER. FOR REDUCED CUPPING COMPARED TO USING TREATED LUMBER.
2. AESTHETICS: INSTEAD OF SEEING GREEN LUMBER YOU WILL SEE A BEAUTIFUL HARDWOOD TO HARDWOOD APPEARANCE
3. LONG LASTING: RED BALAU BATU JOIST CAPS LAST LONGER THAN TREATED LUMBER. WHICH WILL MATCH THE LIFE OF YOUR EXOTIC HARDWOOD DECKING, AND WILL BE WELL WORTH IT FOR THE EXTRA COST OF THE MATERIAL AND LABOUR.

#### HOW TO INSTALL:

1. 5/4 X 2" RED BALAU BATU JOIST CAPS SHOULD BE APPLIED TO TREATED JOISTS WITH CONSTRUCTION ADHESIVE
2. SCREW A MINIMUM 2.5" #8 COARSE THREAD ACQ SCREW EVERY 2' ON CENTER
3. INSTALL OUR 5/4 X 4" OR 5/4 X 6" EXOTIC HARDWOOD DECKING WITH RECOMMENDED KREG DECK JIG AND 2" COARSE THREAD ACQ SCREWS

➤ **Any Questions Please Call Us: 1-800-667-2275 or email: [info@westwindhardwood.com](mailto:info@westwindhardwood.com)**